

# ROTARY DRILLING RIG ZR360C



**ZOOMLION**

**Zoomlion Heavy Industry Science & Technology Co.,Ltd.**

Add:Zoomlion Overseas Building, No.613, 3rd Section, Furong Middle Road, Yuhua District, Changsha, Hunan, P.R.China 410205

Copyright © 2016 Zoomlion. All rights reserved. Reproduction and copying of any part of the Contents is not allowed for any purposes without Zoomlion's written approval.  
Note: No product coating appearance shall be subject to sample.



Printed in China VW: EN-PM-2016-01

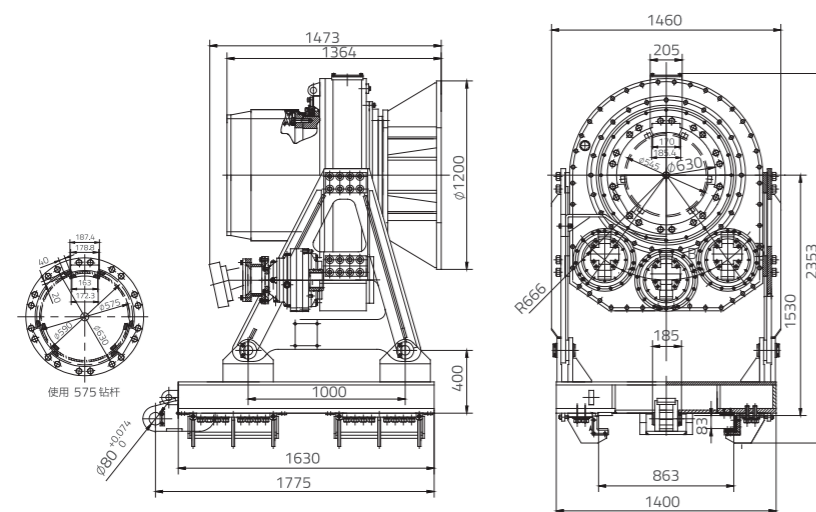
**ZOOMLION**

## Features

1. Zoomlion's specific-use in-house telescopic-crawler undercarriage is used to achieve superior stability, transport convenience and travel performance.
2. The main winch uses the single-layer-rope drum, winch extends service life of the main winch rope significantly;
3. The world advanced load-sensing, proportionally-controlled hydraulic systems are used to achieve high efficiency and less energy loss.
4. World-class components are used to achieve excellent performance,
5. Optimized large-triangle luffing mechanism with high supporting positions decreases mast deformations and increases the borehole accuracy.
6. The rear-mounted stabilizer can ensure stability of the machine and verticality of the borehole when imposed by great crowd force.

## Technical Data

NAME		SPEC.
Torque(KN.M)		360
Drilling Diameter(mm)		2800
Drilling Depth(m)	inter-locking	64
	Friction	98
Drilling Speed(r/min)		6-26
Engine Model		Cummins QSM11
Rated Power(kw)		298
Rated Engine Speed(r/min)		2100
Max.Crowd Force(kN)		300
Max.Crowd Cylinder Pull(kN)		300
Line Pull(main winch)(kN)		300
Line Speed(main winch)(m/min)		68
Line Pull(aux.winch)(kN)		90
Line Speed(aux.winch)(m/min)		70
Operating Mass(t)		113
Traction Force(kN)		600
Diesel Tank(L)		99
Rope diameter (Main winch) (mm)		36
Rope diameter (auxiliary winch) (mm)		22



## Overall Dimensions (Unit: mm)

